



The New IP Matrix Range

IP-SS-LL-ERO1 IR Bullet Camera

Main Features Include:

- 1 / 28" Sony 2MP Starvis Image Sensor
- 1080P Full HD Resolution
- 3.6mm Megapixel Fixed Lens
- ONVIF Profile S Compliant
- Triple Codec (H.264 / MPEG4 / MJPEG)
- True Day & Night with ICR mechanism
- D-WDR (Digital Wide Dynamic Range)
- 3DNR (Digital Noise Reduction)
- 12v DC / POE Operation
- 316 Grade Stainless Steel Housing
- IP 67 Rating



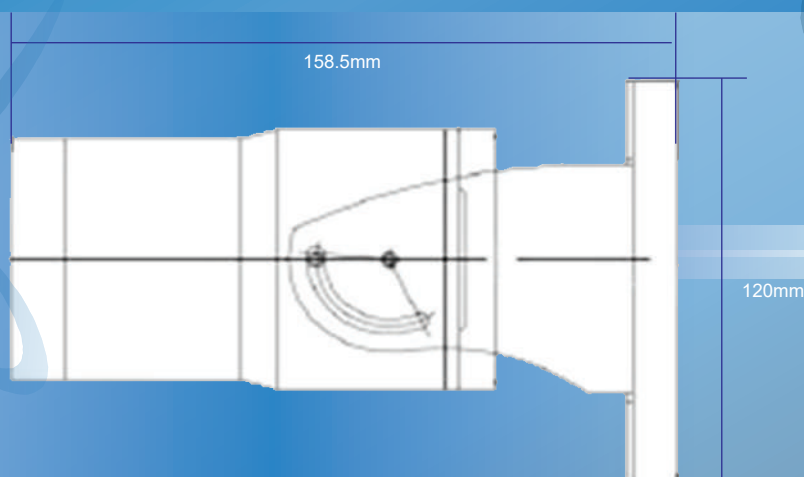
Camera Information:

The SSIP2B is a 2MP (1080p) High Definition 12v DC/ POE IP Stainless Steel Bullet camera using the latest Starvis image sensor

The body is a 316 grade Stainless Steel, a ideal choice for Coastal Applications

Specification may change without prior notice

Dimensions:





The New IP Matrix Range

IP-SS-LL-ERO1 IR Bullet Camera



Technical Data

Camera	Image Sensor	Sony 2MP Starvis
	Size	1/2.8 Inch
	Lens	3.6mm Fixed Lens
	Scan Systems	Progressive Scan
Features	Total Pixels	2000(H) x 1121 (V), 2.24 Mega Pixels
	Effective Pixels	1984(H) x 1105(V), 2.19 Mega Pixels
	Day & Night	Auto/ Day (Color)/ Night (BW), ICR Control
	Privacy Area	On/Off (6 Programmable Zone)
Lens	Motion Detection	48 Zone, Sensitivity 1~5 Step, On/Off
	LPR	Auto 1/15 - 1/1900, On/Off
	WDR	DWDR (1-5 Step) On/Off
	3DNR	Digital Noise Reduction 1-63 Step
Video	Elec. Shutter	Auto (1/15-1/15000), Supress Rolling, Manual
	Color Adjust	Bright/Contrast/Saturation/ Sharp/ Hue
	White Balance	Auto/Indoor/Outdoor/Fluorescent
	OSD Display	Text, Data, Time. Event, On/Off
Audio	Image Mirror	Normal/Mirror (H)/ flip (V)/ Both (HV)
	Power Supply	DC12V +/- 10%
Network	Operating Temp	-10°C +50°C
	Preservation Temp	-10°C +60°C
	Humidity	0%-90%
Other	Dimensions/mm	78 (D) x 158.5 (W) x120 (H)
	IP Rating	IP67
	Weight (Kg)	1.52 (Approx.)

