



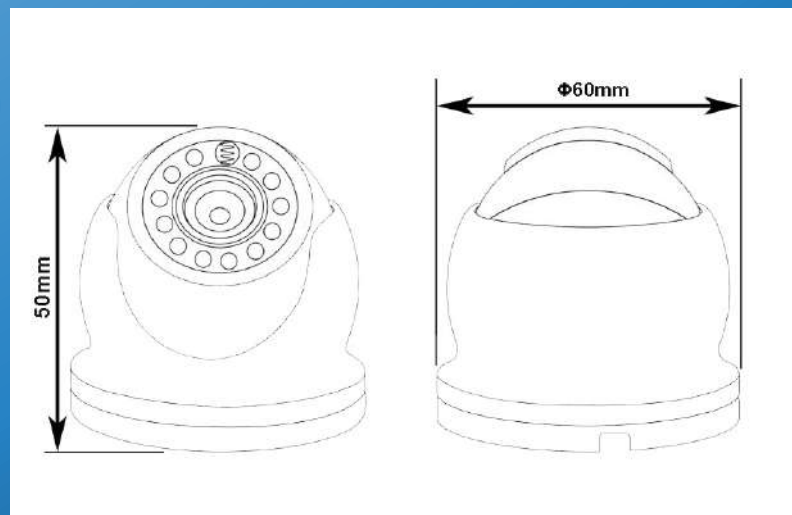
The New IP Matrix Range

IP-MD-00-IR-3MP IR Dome Camera

Main Features Include:

- 2' Metal IR Dome IP Camera
- 1080p Realtime
- Digital Wide Dynamic Range
- PNP(Plug & Play), supports smart phone / tablets
- OSD, Motion Detection, Remote View & Control, IR-Cut
- Easy 2 Axis Adjustment Gimbal
- Power Source 12V DC
- Aluminum Housing IP66 Rating
- Working Temperature: -10 ~ +60
- PoE - Power over Ethernet
- IR LED: 5 - IR Range: 15M
- Video Output: 1 x RJ45 port
- Support Onvif
- Size: 60mm x 50mm
- Weight: 300g

Specification may change without prior notice





The New IP Matrix Range

IP-MD-00-IR-3MP IR Dome Camera



Technical Data

Description	2" Metal IR Dome IP Camera, IR LED: IR Range: 15M
TV System	NTSC / PAL
Video Out	1 x RJ45 port
Chipset Solution	1/3" 2MP CMOS SC2235 + HI3516EV100
Resolution	1080P
Effective Pixels	1920 (H) × 1080 (V)
Minimum Illumination	0.001Lux
Lens	3.6mm (5M Pixels) / 2.8mm (Optional)
Network	1 RJ45 Ethernet interface, 10 / 100M adaptation
Video Compression	H.265 compression
Protocol	Support Gmail / GOOGLE / QQ / EMAIL
Onvif	Support Onvif
S/N Ratio	≥ 58dB
POE	Optional
OSD	Yes
WIFI	NO
Power Source	DC 12V / 2A
Consumption	<5W
Operating Enviroment	-10°C ~ 60°C / 10% ~ 95% RH
Working Humidity	≤ 90%
Size	60mm x 50mm
Weight	0.3 kg



Weight 300g
Dimensions Ø 60mm x 50mm

